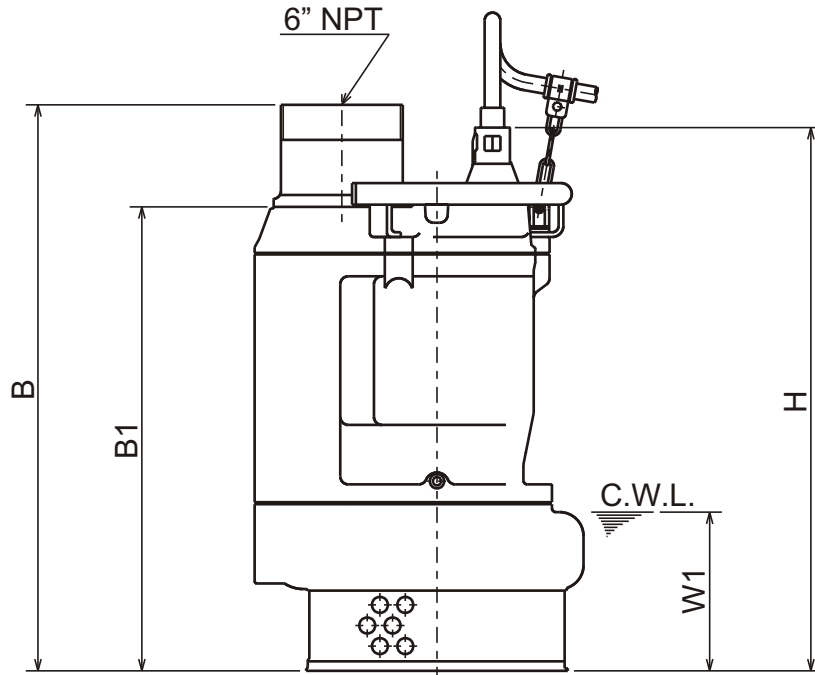
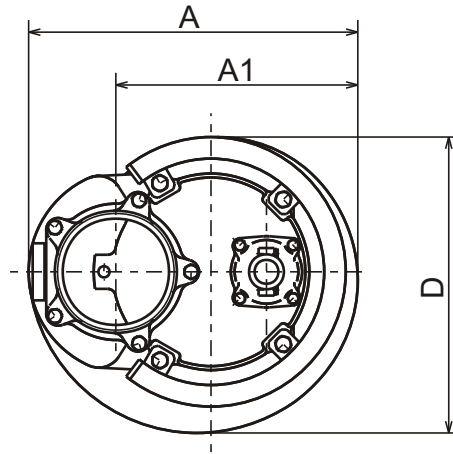




KRS - SERIES
HIGH VOLUME - DEWATERING PUMPS

DIMENSIONS

KRS2-A6
KRS2-B6



C.W.L. : Continuous running Water Level

DIMENSIONS:USCS (Inch)

Model	HP	NOM. SIZE	Pump & Motor						C.W.L.	Wt. (lbs.)
			A	A1	B	B1	D	H	W1	
KRS2-A6	10	6"	16 5/16	12	27 13/16	23 1/16	14 11/16	26 15/16	6 7/8	286
KRS2-B6	15	6"	16 5/16	12	29 5/8	24 13/16	14 11/16	29 3/16	6 7/8	330

DIMENSIONS:METRIC (mm)

Model	kW	NOM. SIZE	Pump & Motor						C.W.L.	Wt. (kg)
			A	A1	B	B1	D	H	W1	
KRS2-A6	7.5	150	415	305	707	585	373	685	175	130
KRS2-B6	11	150	415	305	752	630	373	742	175	150